

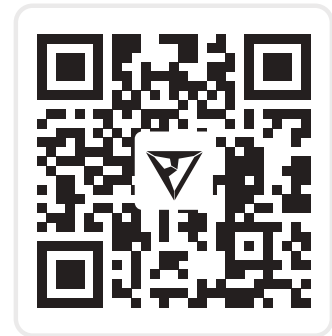
Hub D1

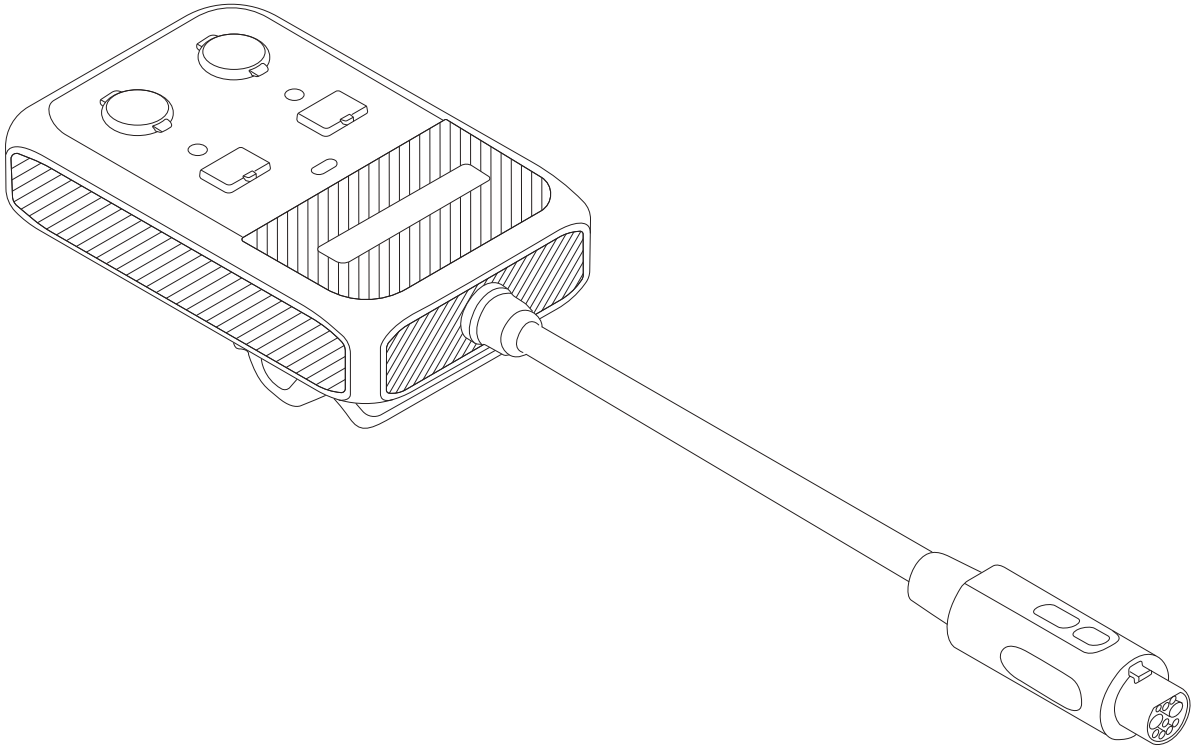
DC Power Hub

User Manual v2.0

Important Instructions

For optimal performance, update your unit to the latest firmware before use. See the appendix "Update Firmware via BLUETTI App" for guidance. Read and understand this manual before use and keep it handy for future reference.





Legal Information

Copyright © Shenzhen PowerOak Newener Co., Ltd. All rights reserved.

No reproduction or transmission of any part of this document is permitted without the prior written consent of Shenzhen PowerOak Newener Co., Ltd.

Notice

BLUETTI's products and services are subject to the terms and conditions agreed upon during purchase. Some aspects described in this manual may not be available under your purchase contract. Unless otherwise specified in the contract, BLUETTI makes no express or implied representations or warranties regarding the contents of this manual.

The contents of this manual are subject to change without notice. Please obtain the latest version from BLUETTI official website.

If you have any questions or concerns about this manual, please contact BLUETTI support for further assistance.

Shenzhen PowerOak Newener Co., Ltd.

F19, BLD No.1, Kaidaer, Tongsha RD No.168, Xili street, Nanshan, Shenzhen, China

Website: <https://www.bluettipower.com/>

Contents

1	Safety Information	05
2	In the Box	07
3	Introduction	07
4	Overview	07
5	Mounting	08
5.1	Choose a Location	08
5.2	Mount the Hub D1	08
6	Usage	09
6.1	Compatible BLUETTI Products	09
6.2	Connect the Hub D1	10
7	Specifications	11
8	Power Button Indicator Status	12
9	Troubleshooting	13
	FAQ	14
	Update Firmware via BLUETTI App	15

1. Safety Information

Before using this product, please read the manual carefully and follow all safety instructions. Pay close attention to the **Dangers, Notes**, and other safety labels in the manual and on the product itself. If you have any questions or encounter a situation not addressed in this manual, please contact us. Improper use or unauthorized operation may result in damage or injury, which is not covered by the warranty.

1.1 Important Guidelines


For optimal performance and safety, please follow these essential guidelines:

- Always operate and store the product in the conditions specified in this manual.
- Ensure the product is used in compliance with all relevant standards and regulations.
- Avoid unauthorized modifications, disassembly, or software changes.

BLUETTI is not liable for the following situations or any resulting consequences:

- Damage caused by natural disasters, including earthquakes, fires, floods, or storms.
- Damage that occurs during customer-handled transportation.
- Issues caused by improper storage or use outside the conditions specified in this manual.
- Hardware damage or data loss resulting from customer negligence, misuse, or intentional harm.
- System failures due to third-party or customer actions, including improper handling or installation not in line with this manual.
- Damage caused by unauthorized repairs, adjustments, or removal of product labels.
- Damage or safety risks caused by using non-BLUETTI devices to power this product.
- Accidents or safety concerns arising from using the product in critical applications, such as nuclear, aviation, or medical fields, where high reliability is essential for personal safety or operation.

1.2 Instructions Pertaining to Risk of Fire, Electric Shock, or Injury to Persons

 **Danger:** To ensure safe operation, please follow the instructions below.

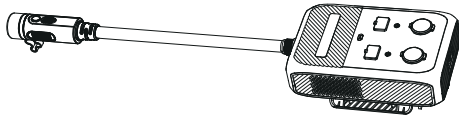
- Disconnect the power source before performing any electrical work on the product.
- Do not clean the product with water. If exposed to moisture, ensure it's completely dry before use.
- Keep the product away from heat sources or high-temperature environments.
- Never use the product near open flames, explosive gases, or in environments with smoke, vapors, or other hazardous conditions. Also, avoid humid, salty, or corrosive areas.

- Do not insert any objects or body parts into the product's openings or vents.
- Do not use metal tools or objects to contact the product while it is operating.
- Make sure the area around the product is clean, clear, and free from obstructions to allow proper airflow.
- Do not open or modify the product yourself. Only qualified personnel should perform repairs or replace parts using BLUETTI-approved components.
- Keep children and pets away from the product while it is in use.
- Regularly inspect the product for visible damage. If the casing is cracked or broken, stop using it immediately and contact BLUETTI support or an authorized dealer.
- If the product malfunctions, immediately turn it off. Contact BLUETTI support if needed.

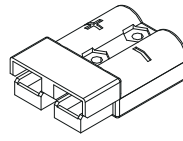
1.3 Usage Guidelines

- Ensure the power source is powered off before connecting the product.
- Before connecting devices, verify that the voltage from the RV port, cigarette lighter port, or DC5521 port matches the device's voltage requirements (12V or 24V). The power button indicator will show green for 12V and blue for 24V.

2. In the Box



Hub D1



Anderson Connector



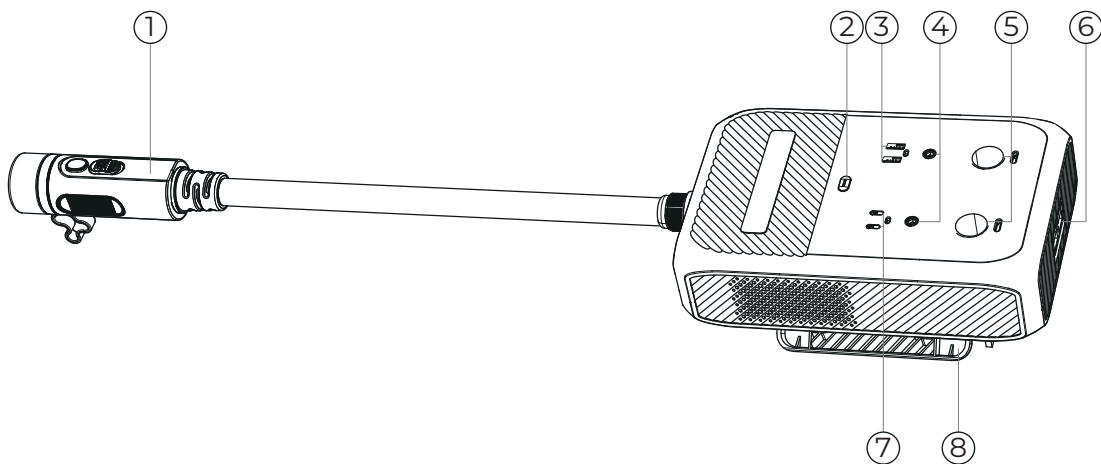
Documentation

3. Introduction

The Hub D1 is a versatile DC Power Hub with a maximum output of 700W. It's compatible with BLUETTI Apex 300 portable power station, B300K, and B300 expansion batteries, and future models featuring 48V/90A P090D interfaces. Featuring multiple output options, including RV, cigarette lighter, DC5521, USB-C, and USB-A, it can power a variety of DC devices.

With Bluetooth connectivity, you can control the Hub D1 via the BLUETTI app. Switch between 12V and 24V output settings on the RV, cigarette lighter, and DC5521 ports, while monitoring real-time voltage, power usage, and system status.

4. Overview



① P090D Connector

② Power Button

③ USB-A Ports

④ DC5521 Ports

⑤ Cigarette Lighter Ports

⑥ RV Port

⑦ USB-C Ports

⑧ Mounting Clip

5. Mounting

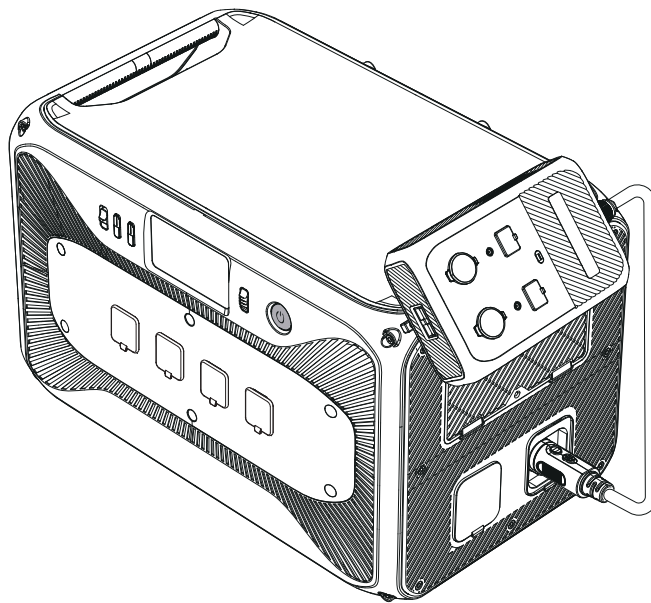
5.1 Choose a Location

Choose a dry, cool spot to mount the Hub D1. Make sure the area around it is clear and there's enough space for proper airflow.

5.2 Mount the Hub D1

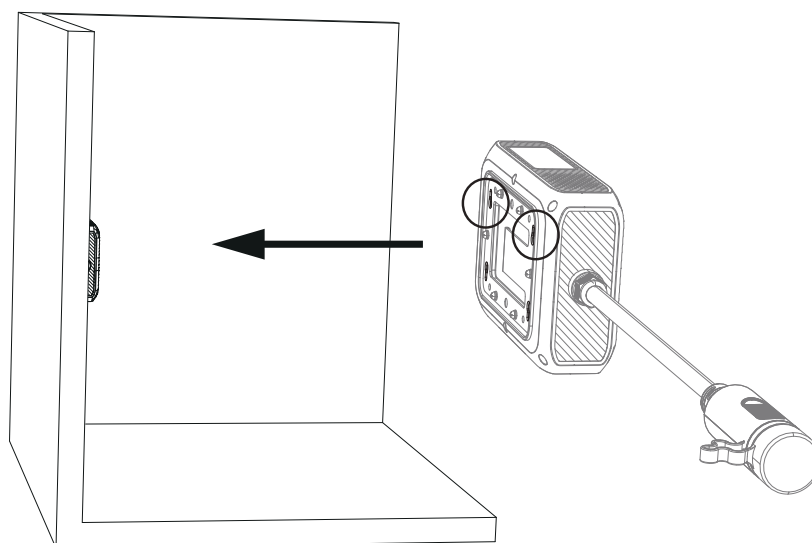
Option 1: Mounting on a Power Station Handle

Attach the Hub D1 to the handle of the B300, B300K, or Apex 300 using the clip.



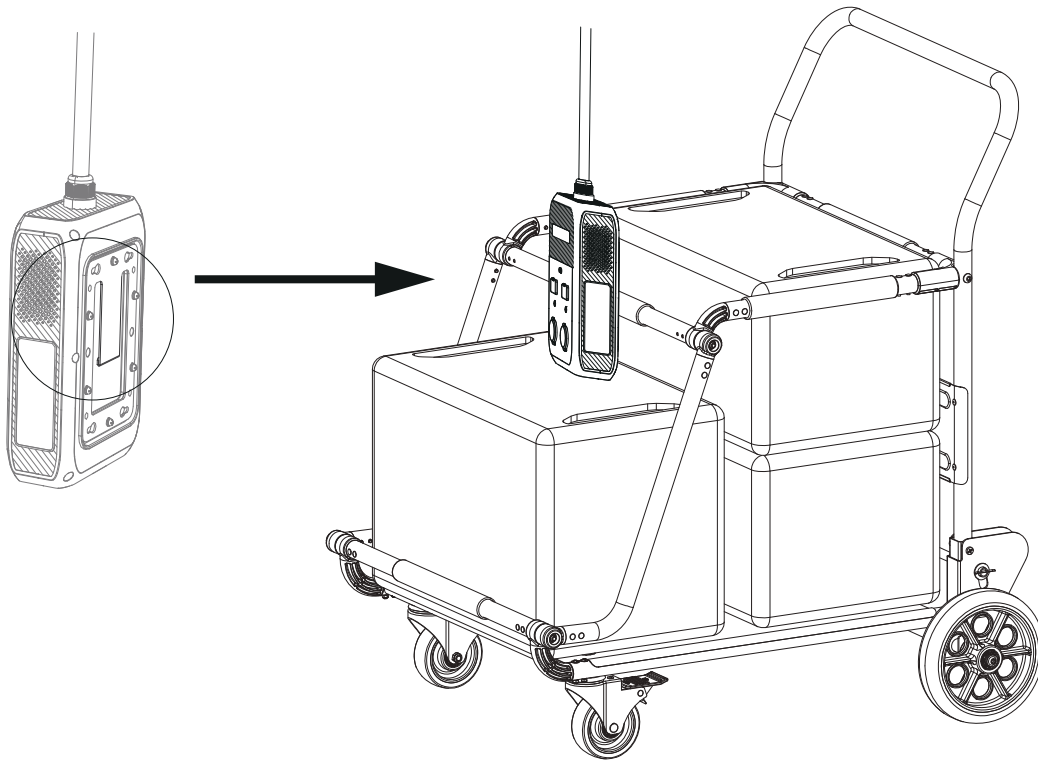
Option 2: Wall Mounting

Remove the clip and use the metal bracket on the back to mount the Hub D1 to a wall.



Option 3: Strap Mounting

After removing the clip, use a strap to attach the Hub D1 to a cart bar or any other stable structure.



6. Usage

6.1 Compatible BLUETTI Products

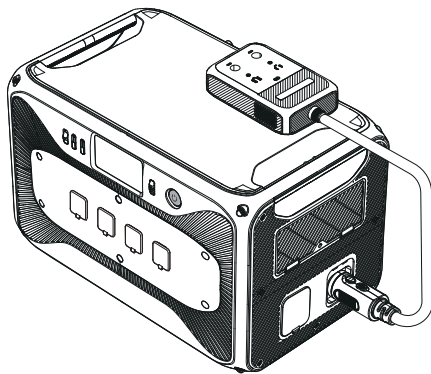
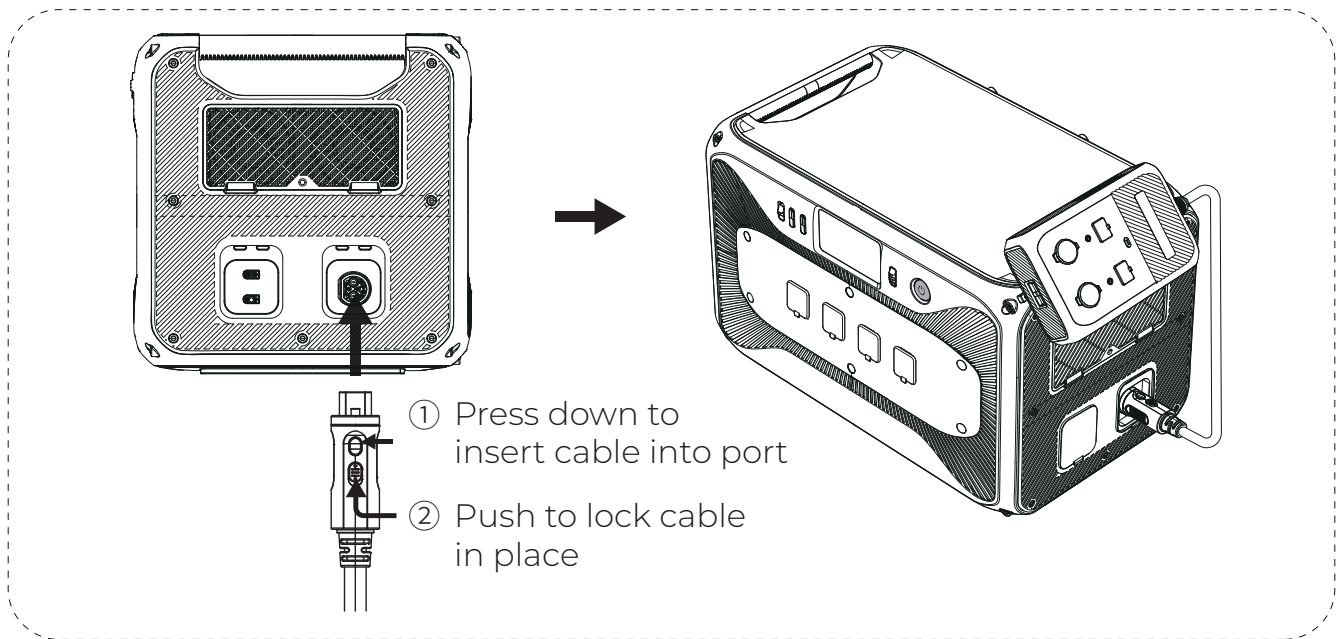
The Hub D1 is compatible with the following BLUETTI products:

- Apex 300 portable power station
- B300 and B300K expansion batteries
- Future models with 48V/90A P090D ports

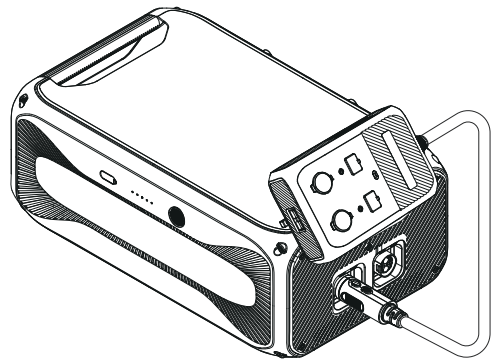
⚠ Notice: The Hub D1 will only work with BLUETTI-approved power sources, and the power source must have a State of Charge (SoC) greater than 0.

6.2 Connect the Hub D1

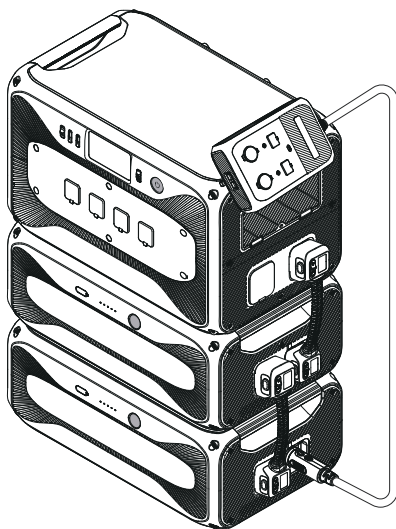
Insert the P090D connector into the expansion port of the Apex 300, B300K, or B300.



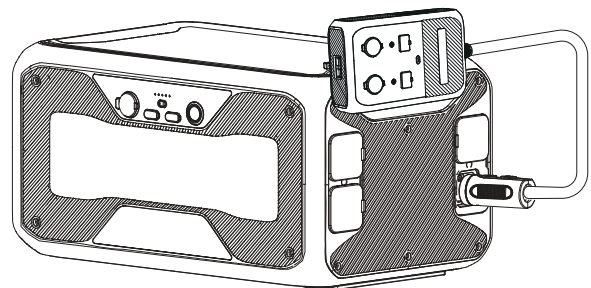
Apex 300



B300K




Apex 300 + B300K



B300

7. Specifications


Model	Hub D1
Weight	Approx. 1.9 kg (4.19 lbs)
Size (L×W×H)	250 mm × 160 mm × 73 mm (9.84 × 6.30 × 2.87 in)
Cable Length	1.5 m (4.92 ft)
Operating Temperature	-20°C to 45°C (-4°F to 113°F)
Operating Humidity	10% to 90%
Storage Temperature	-20°C to 60°C (-4°F to 140°F)
Storage Humidity	0% to 90%
Noise Level	50dB Max.
Operating Altitude	<2000 m
Input	
Interface	P090D
Input Voltage	42VDC to 58VDC
Input Current	20A
Compatibility	Apex 300, B300K, B300
Output	
RV Port × 1	12VDC/50A; 24VDC/25A
Cigarette Lighter Port / DC5521 × 2	12VDC/10A; 24VDC/5A
USB-C Port × 2	5/9/12/15/20VDC,3A; 20VDC,5A
USB-A Port × 2	5VDC/3A
Total Output	700W Max.

 **Note:** The cigarette lighter and DC5521 ports are wired in parallel with a combined maximum output of 120W. Each port can provide up to 120W when used individually. Similarly, the two USB-A ports share a total output of 15W, with each providing up to 15W individually.

- The cigarette lighter port cannot be used to charge lead-acid batteries.

8. Power Button Indicator Status

Status	Conditions
On	Power is on
Off	Power is off
Green	RV/cigarette lighter/DC5521 providing 12V output
Blue	RV/cigarette lighter/DC5521 providing 24V output
Flashing	Output failure (short circuit, over-voltage, over-current, or over-temperature), pre-charge fault, or input over/under voltage
Flashing slowly (twice every 6 seconds)	Power connected, but P090D connector not locked

 **Note:** If there's input over-voltage or under-voltage, the indicator will flash, even if the Hub D1 isn't powered on.

9. Troubleshooting

Error Code	Description	Solution
E010	Input Overvoltage	<ul style="list-style-type: none"> • Unplug the Hub D1. • Stop charging the power source.
E011	Input Undervoltage	<ul style="list-style-type: none"> • Unplug the Hub D1. • Charge the power source.
E027	Output Overload (The RV port is in use, but no "E067 Output Overcurrent" error is reported)	<ul style="list-style-type: none"> • If the Hub D1's total output exceeds 700W, it will turn off the cigarette lighter/DC5521, USB-A, and USB-C outputs sequentially until the power drops below 700W. • Use the BLUETTI app to identify the devices that are turned off (they'll show OV). Unplug them. The remaining devices will keep working, even if the "E027 Output Overload" error appears. • To clear the error code, restart the Hub D1.
E065	Output Short Circuit	<ul style="list-style-type: none"> • Check all output ports for damage or foreign objects, or inspect the device's cable for any damage that could cause a short circuit. • If only one device is connected, unplug it and restart the Hub D1. • If multiple devices are connected, use the app to identify the shorted devices (they'll show OV). Then, unplug them and restart the Hub D1.
E066	Output Overvoltage	<ul style="list-style-type: none"> • Use the BLUETTI app to identify the overvoltage devices (they'll show OV). • Disconnect the overvoltage devices and restart the Hub D1. • If the issue persists, contact BLUETTI support.
E067	Output Overcurrent	<ul style="list-style-type: none"> • If only one device is connected, unplug it and restart the Hub D1. • If multiple devices are connected, use the app to identify the overcurrent devices (they'll show OV), unplug them, and restart the Hub D1.
E068	Output Overtemperature	<ul style="list-style-type: none"> • Check that cables are securely connected. • Ensure the fan is working and not blocked. • Make sure the air vent is clear. • Avoid using Hub D1 in high-temperature environments.
E069	Pre-charge fault	<ul style="list-style-type: none"> • Check the connection with BLUETTI products. • Ensure the locking mechanism is engaged. • Restart the Hub D1 if everything is fine.
Others	/	<ul style="list-style-type: none"> • Contact BLUETTI support if needed.

Frequently Asked Questions (FAQs)

Q1: Maintenance tips.

A: To keep the Hub D1 in good working condition:

- a. Keep it clean and dry.
- b. Ensure proper ventilation around it.

Q2: How to tell if the output voltage of the RV port, the cigarette lighter port and the DC5521 port is 12 V or 24 V? And how to switch the voltage?

A: Verify the output voltage with the power button indicator light. When it's green, the voltage is 12 volts. If it's blue, it's 24 volts. Power off the Hub D1, and then switch the output voltage via the BLUETTI app. Remember to always check the voltage before connecting your devices to prevent damage to both your devices and the Hub D1.

Q3: Does the Hub D1 come with any safety features?

A: Yes, the Hub D1 includes several safety protections, including over-current, over-voltage, overload, short-circuit, and over-temperature protection, as well as input under-voltage and over-voltage protection.

Q4: How to monitor the Hub D1's output when connecting it to the B300 or B300K expansion battery?

A: Download the BLUETTI app and connect to the Hub D1 via Bluetooth. The app will show real-time information, like the voltage, power for each port, total power, and any error codes that may occur.

Q5: Why can't the Hub D1 be connected via Bluetooth when it connects to the Apex 300?

A: When connected to the Apex 300, the Bluetooth on Hub D1 automatically enters sleep mode. However, the Hub D1 can still be monitored by connecting the Apex 300 to the app via Bluetooth.

Update Firmware via BLUETTI App

Keeping the firmware updated is crucial for optimal performance. For detailed instructions, refer to the application user manual within the app. Using the Elite 200 V2 upgrade as an example.

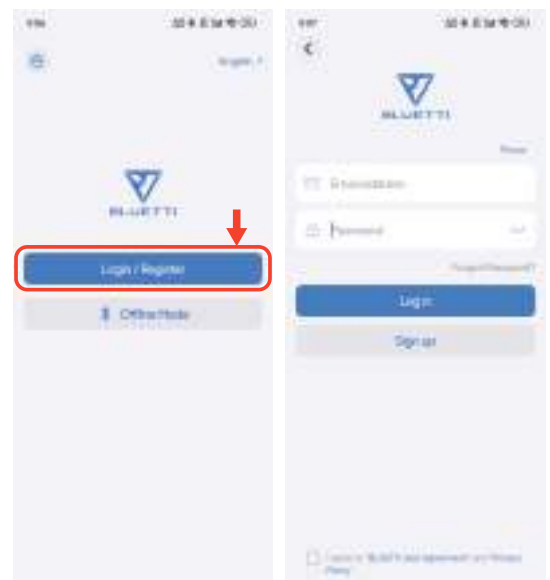
1. Download the BLUETTI app

Scan the QR code or search for “BLUETTI” in the App Store or Google Play to download the app.



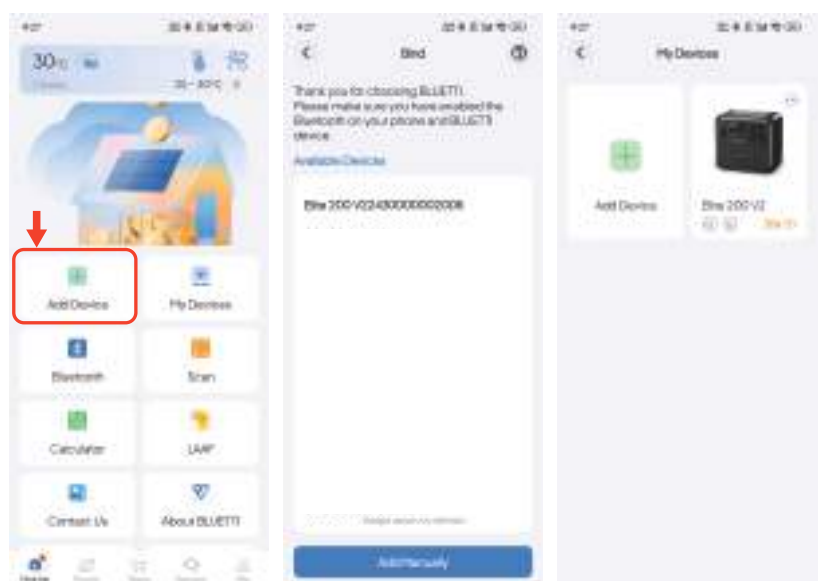
2. Log in or sign up

Log in with a BLUETTI account. If there is no account, create one by following the on-screen instructions.



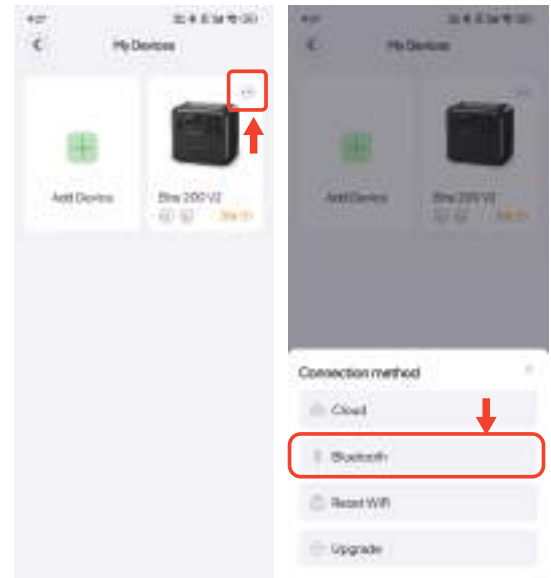
3. Bind the unit

- Tap Add Device directly or access My Devices > Add Device to start the process.
- Select the unit from the available device list, or choose Add Manually and enter the unit's serial number (SN).
- Alternatively, tap Scan on the Home page or in Add Device page to bind via QR code.



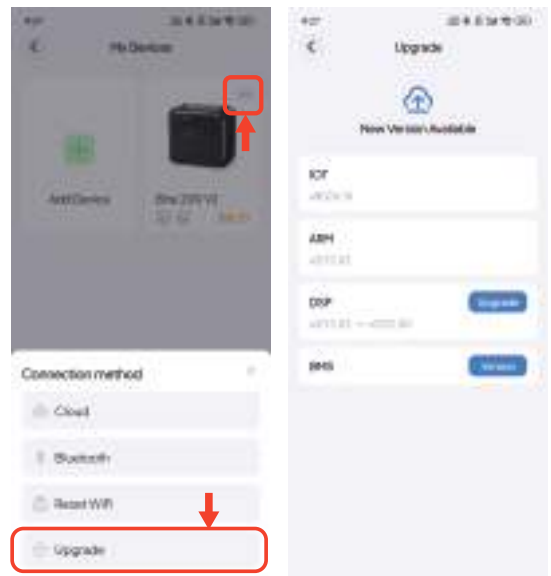
4. Connect via Bluetooth

On the My Devices page, tap the unit and select Bluetooth as the connection method.



5. Check for Firmware Updates

Tap Upgrade to access the Upgrade page. The app will check for the latest firmware version available for the unit.



6. Download and Install the Update

If a new firmware update is available, tap Upgrade and follow the on-screen instructions.

Note:

- Ensure the unit remains powered on and connected during the update.
- Keep your phone and the unit close together (recommended range: 5m / 16.4ft).
- Do not exit app until done.